



Slim LED Panel Light



Features :

- Ultra-thin Slice led panel light, IK06 IP54 approved
- CE, RoHS Certified
- Material: High-quality Aluminium + PMMA
- Efficacy (IES): 100lm/w \pm 10%, Up to 125lm/w \pm 10%
- Input Voltage: DC30-42V
- Support 1-10V dimming, DALI dimming driver
- Ultra narrow frame, Support UGR<19
- Instant on/off, edge-lit, no dark area, anti-yellowing
- High CRI: Ra>80, SDCM<4
- L80B50 Lifespan(Ta=25°C) : 50,000hrs, Warranty: 5 years
- CCT: 3000K: 3045 \pm 175K, 4000K: 3985 \pm 275K, 5000K: 5029 \pm 283K, 6000K: 6065 \pm 415K
- Suspending & Ceiling & Surface mounted & Recessed installation

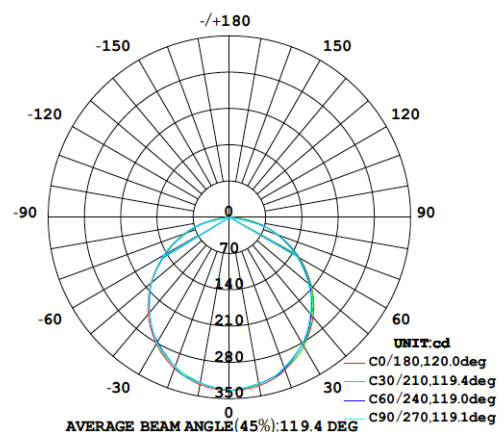


Article Number	Dimension (mm)	Power (W)	Lumen (lm)
SL-P1112-X-26B	295*295*7	12	1100
SL-P1225-X-26B	295*595*7	25	2500
SL-P2240-X-26B	595*595*7	40	4000
SL-P2240-X-26B2	620*620*7	40	4000
SL-P1440-X-26B	1195*295*7	40	4000
SL-P2560-X-26B	1195*595*7	60	6000

Light Source	SMD2835/4014
CRI	>80
Beam Angle	120°
CCT	3000K 4000K 5000K 6000K
DC Input	30-42V
SDCM	<3
Waterproof	IP54
IK Rate	IK06
Warranty	5 Years
Operating Temperature	-20~+40°C

Efficacy Version		
Cover	Standard	Premium
Frosted	100lm/w	125lm/w

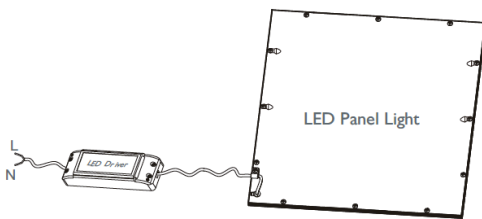
- Above efficacy based on 4000K
- All values are based on ambient temperature of 25°C
- Efficacy tolerance is ±10% and wattage tolerance is ±10%
- UGR<19 light efficiency will be reduced by 5-8%
- IP54 waterproof just for front.



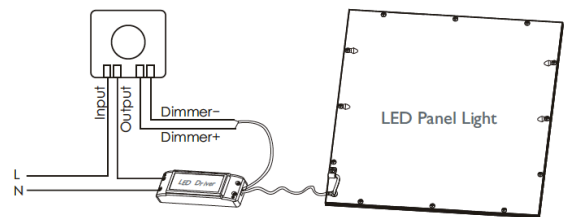


Wiring Details

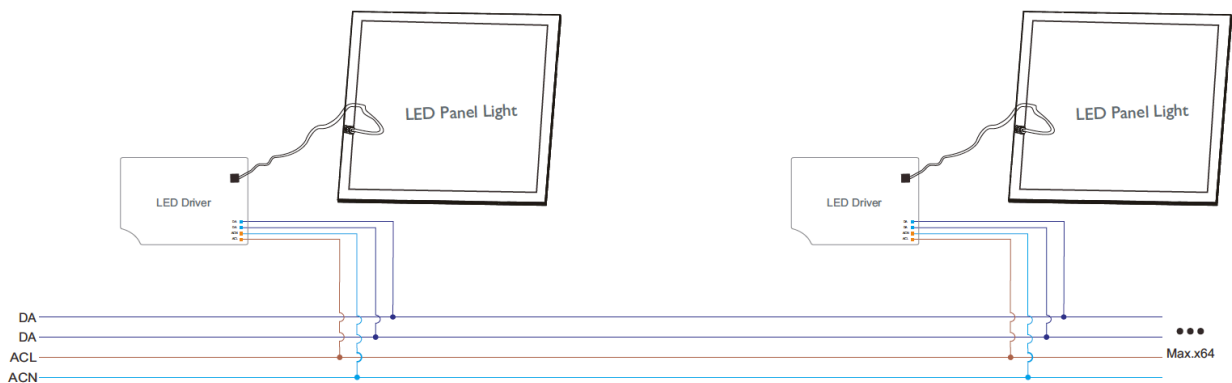
1. Standard version



2. 1-10V dimming version

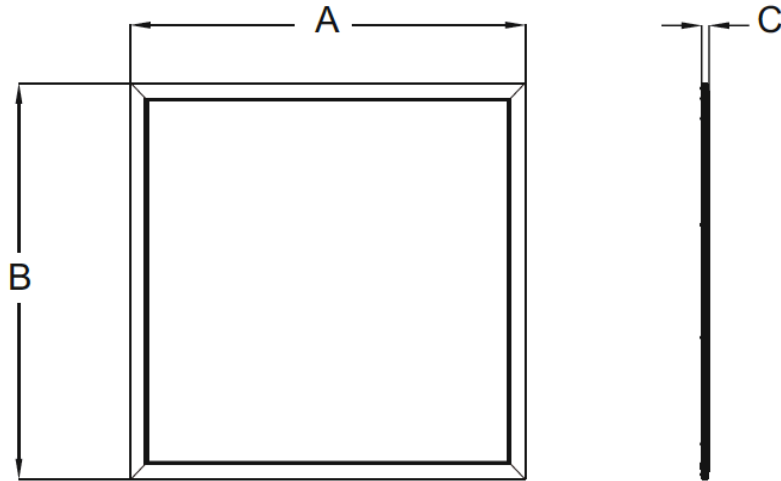


3. DALI dimming version





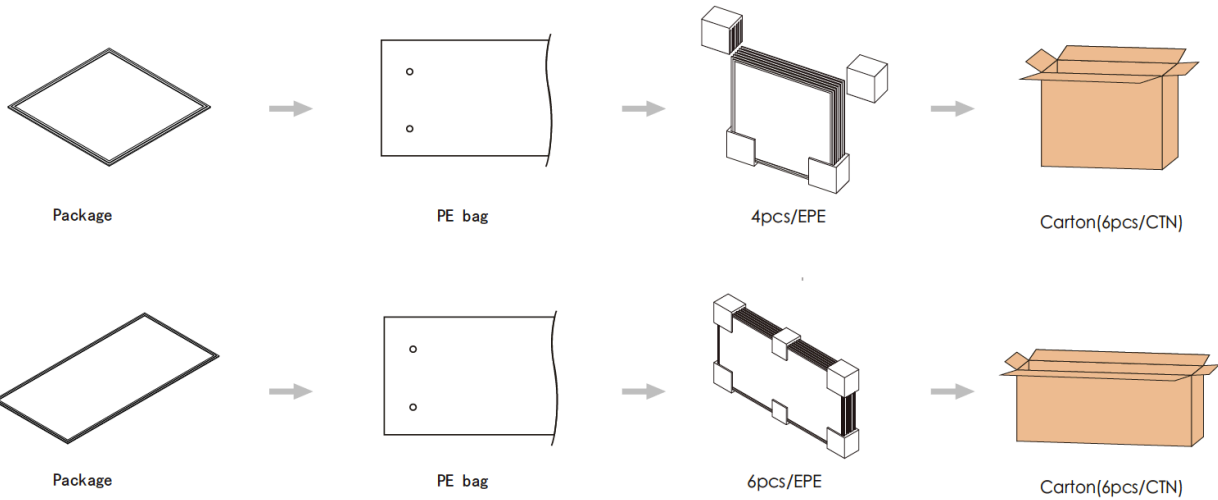
Dimension



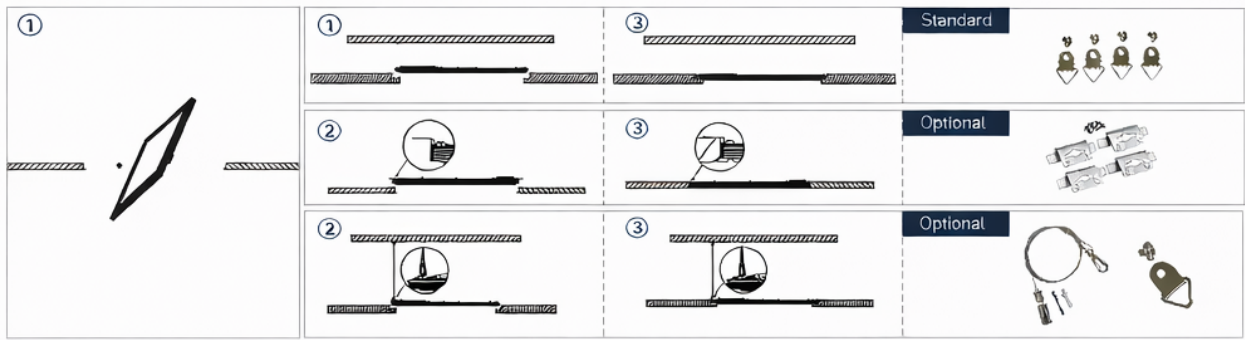
Length	A		B		C
	Min. mm	Max. mm	Min. Mm	Max. Mm	Min. Mm
295x295	295	296	295	296	7
295x595	595	596	595	596	7
595x595	595	596	595	596	7
620x620	620	621	620	621	7
1195x295	1195	1196	295	296	7
1195x595	1195	1196	595	596	7

Packaging

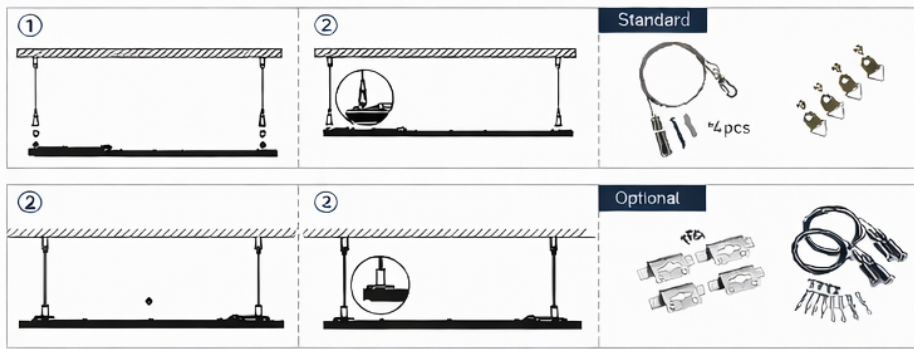
Length	Carton Size (6pcs/ctn)	N.W (CTN)	G.W (CTN)	20'GP	40'GP	40'HQ
295*295*7mm	350X145X350mm	6.5kg	8kg	8424pcs	17424pcs	20328pcs
295*595*7mm	650X145X350mm	11kg	12.5kg	4572pcs	9612pcs	11214pcs
595*595*7mm	650X145X650mm	16kg	18kg	2286pcs	4308pcs	6408pcs
620*620*7mm	675X145X650mm	17kg	20kg	2232pcs	4644pcs	4644pcs
1195*295*7mm	1250X145X350mm	16kg	18kg	2196pcs	4716pcs	5502pcs
1195*595*7mm	1250X145X650mm	28kg	30kg	1098pcs	2358pcs	3144pcs



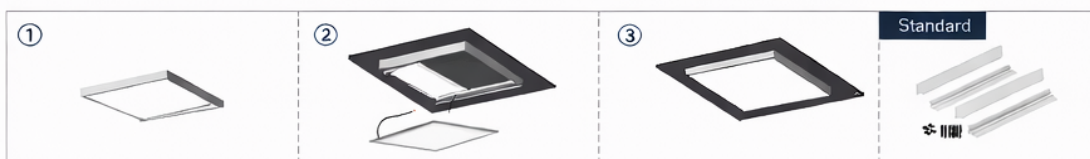
■ Ceiling Installation



■ Suspending Installation



■ Surface mounted Installation



■ Recessed Installation

